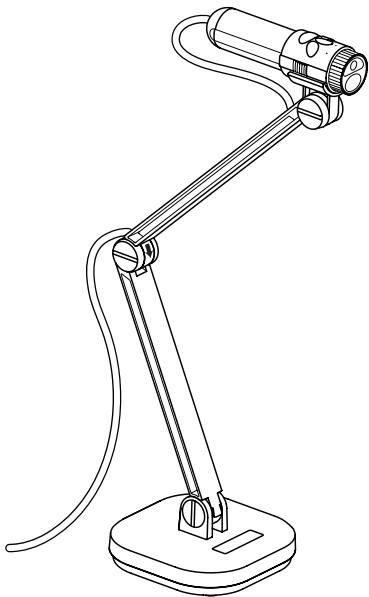


inSwan

INS-3

USB Document Camera

User Manual



Package Content:

- INS-3 USB Document Camera
- Camera Bracket- INS-3 USB
- Anti-Glare Sheet
- Quick Guide

Customer Service

Email : service@inswan.com

Website : <http://www.inswan.com>

TS-82-937-90020

- **Welcome:**

Thanks for purchasing this product. Please read the instructions carefully before using this product.

- **FCC Compliance Statement (Class A):**

This device complies with Part 15 of the FCC Rules. Operation is subject to the following two conditions: (1) this device may not cause harmful interference, and (2) this device must accept any interference received; including interference that may cause undesired operation.

- **Federal Communications Commission (FCC) Statement :**

This Equipment has been tested and found to comply with the limits for a Class A digital device, pursuant to Part 15 of the FCC rules. These limits are designed to provide reasonable protection against harmful interference when the equipment is operated in a commercial environment. This equipment generates, uses and can radiate radio frequency energy and, if not installed and used in accordance with the instructions, may cause harmful interference to radio communications. Operation of this equipment in a residential area is likely to cause harmful interference in which case the user will be required to correct the interference at his own expense.



- **European Community Compliance Statement (Class A):**

This is a class A product. In a domestic environment this product may cause radio interference in which case the user may be required to take adequate measures.

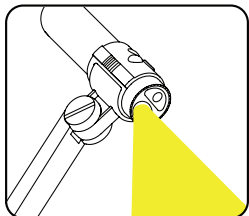


The symbol of the crossed out wheeled bin indicates this product should not be placed in municipal waste. Instead, you need to dispose of the waste equipment by handing it over to a designated collection point for the recycling of waste electrical and electronic equipment.

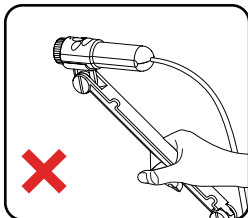
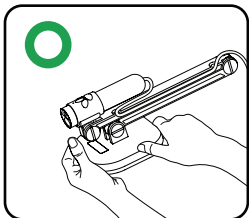


Warning

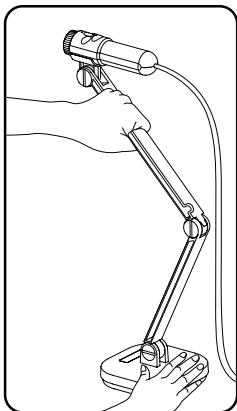
1. Do not look directly at the LED light source, which may cause retinal damage.



2. Carry the product by holding the base of the main unit in both hands. Never hold the product by the arm or the camera head only.

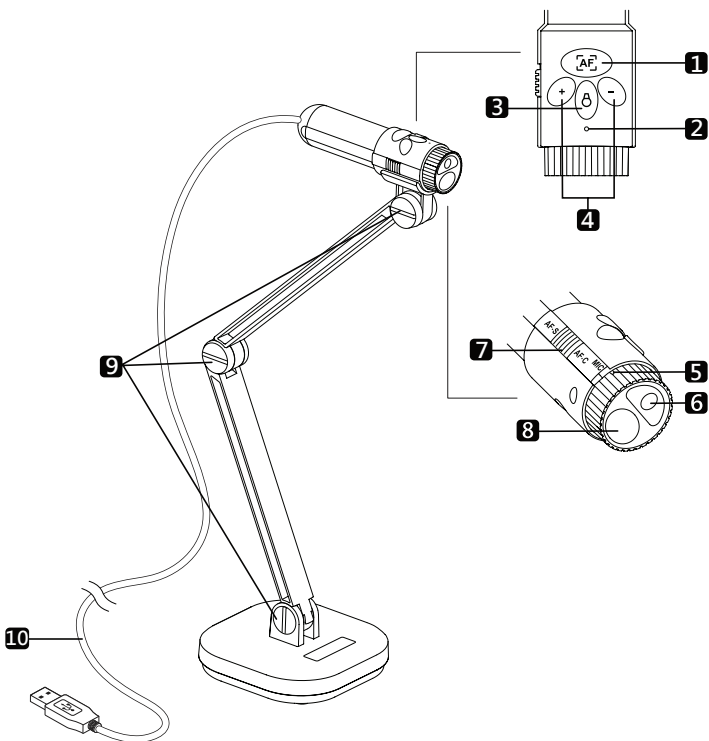


3. The camera can be damaged if it hits a desk surface or any hard object.
4. Never turn the arm in the opposite direction.
5. Be sure to keep one hand on the device base when adjusting the arm and camera head.



Preparing the Document Camera

● Knowing the Document Camera Parts



1 Auto Focus Button

2 Led Indicator

3 Lamp Button

4 Brightness Adjusting Button

5 Microphone

6 Camera

7 AF(Autofocus) mode switch
AF-S (Single)

AF-C (Continuous)

8 LED Lamp

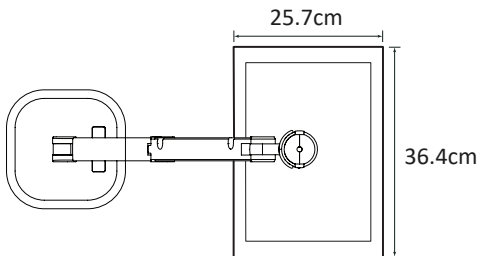
9 Arm Screw

10 USB Cable

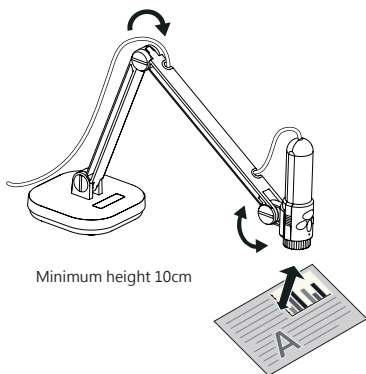
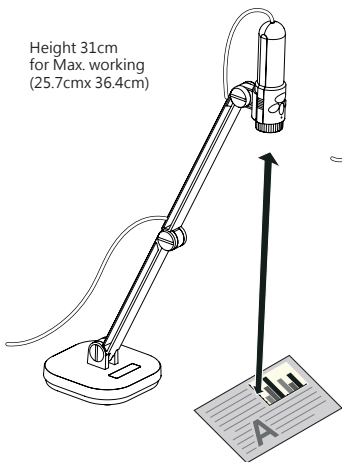
Setting Up

This section provides useful tips on how to adjust the document camera smoothly for your needs.

● Working Area



Height 31cm
for Max. working
(25.7cmx 36.4cm)

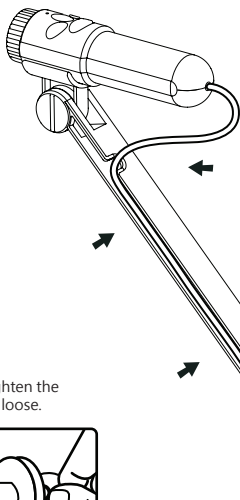
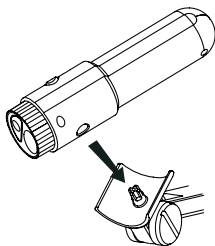


Minimum height 10cm

Setting Up

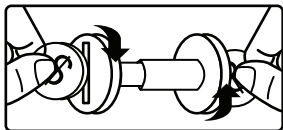
● Using the Camera Holder Bracket

Mount the document camera to the holder.



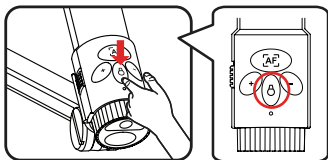
Use the groove on the side of the arm to hold the USB cable.

Note : Use two coins to tighten the screws if the arm is loose.



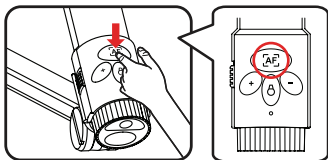
● Illumination Lamp

If you are in a dark environment, please turn the LED lamp on to make better exposure.



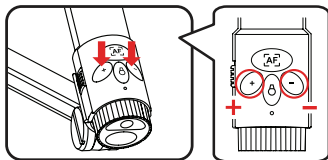
● Adjusting the Focus

Press Focus button to do an one-time auto focus.



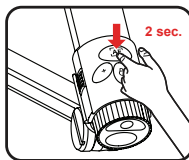
● Adjusting the Brightness

Press Brightness button to increase or decrease the brightness level.



● Change the image orientation

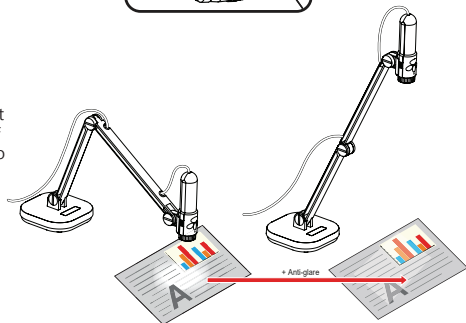
If your image is upside down, change the image orientation by pressing "AF" (\overline{AF}) button and hold the button for 2 seconds.



● Anti-glare

Anti-glare sheet is a transparent plastic that is overlaid on top of shiny object or glossy surface to reduce the glare.

To use, simply place the anti-glare sheet on top of shiny object to glossy surface such as magazine to reduce light reflectio



Basic Operation

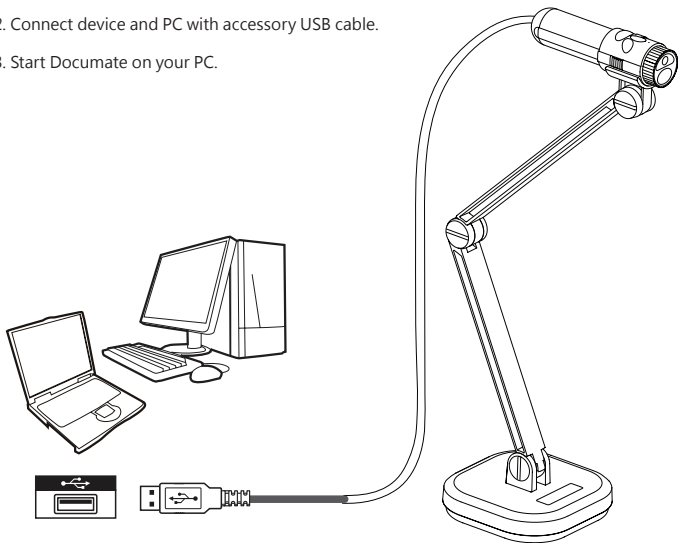
● Using Document Camera as a PC cam

Starting the application

1. Connect the document camera to your computer
Turn on your computer then connect the accessory USB cable to the USB port of your computer.
Make sure the connector and the port are aligned correctly.
2. Launch PC Camera
After the document camera is correctly connected to and detected by your PC, you are ready to use PC Camera function

Working with Documate

1. Install Documate software.
2. Connect device and PC with accessory USB cable.
3. Start Documate on your PC.



Troubleshooting

When using the document camera :		
Problem	Cause	Solution
Cannot be powered on normally.	The USB cable is not correctly connected to the computer or computer may have crashed.	Re-connect the USB cable with the document camera.
		Restart the computer.
No image output after connecting.	The document camera is not correctly connected to the computer.	Re-connect the USB cable with the document camera.
	Software is not installed on the computer.	Install the bundled software on the computer.
	Application software is incompatible with the document camera.	Use the bundled software to operate the document camera.
The image is fuzzy.	Probably the distance of object is too close to the lens.	Press AF button to auto focus.
		Make sure the distance from the lens to the subject is greater than 10 cm.
The image dose not move.	The computer or application software may have crashed.	Restart the computer or application software.
Noises occur when viewing images on the computer	The flicker setting does not match the standard of the country you are staying.	Adjust the flicker setting in software.
Freeze image or no image showing in Windows 7	The built-in decoder of Windows 7 operating system does not support the image streaming higher than 2592x1944 resolutions.	Download free Codec Pack from internet. Such as K-lite Codec Pack. This Codec Pack will install the necessary decoder for Windows 7 to work on high resolution image streaming. http://www.codecguide.com/download_kl.htm

❶ The contents in this manual are subject to change without prior notification.