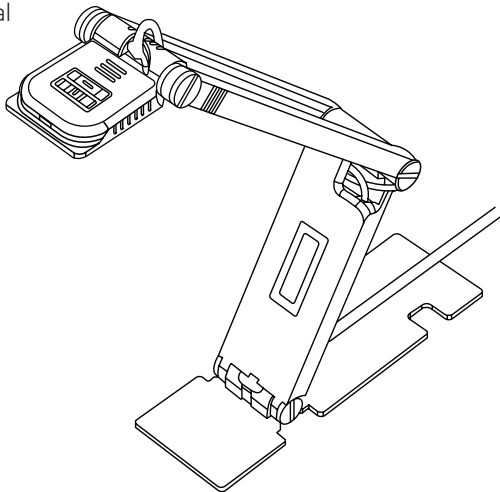


inSwan

INS-Flip4

USB Document Camera

User Manual



Package Content:

- INS-Flip4 USB Document Camera
- Quick Guide
- Camera Carry Bag

Customer Service

Email : service@inswan.com

Website : <http://www.inswan.com>



TS-82-943-90010

- **Welcome:**

Thanks for purchasing this product. Please read the instructions carefully before using this product.

- **FCC Compliance Statement (Class A):**

This device complies with Part 15 of the FCC Rules. Operation is subject to the following two conditions: (1) this device may not cause harmful interference, and (2) this device must accept any interference received; including interference that may cause undesired operation.

- **Federal Communications Commission (FCC) Statement :**

This Equipment has been tested and found to comply with the limits for a Class A digital device, pursuant to Part 15 of the FCC rules. These limits are designed to provide reasonable protection against harmful interference when the equipment is operated in a commercial environment. This equipment generates, uses and can radiate radio frequency energy and, if not installed and used in accordance with the instructions, may cause harmful interference to radio communications. Operation of this equipment in a residential area is likely to cause harmful interference in which case the user will be required to correct the interference at his own expense.



- **European Community Compliance Statement (Class A):**

This is a class A product. In a domestic environment this product may cause radio interference in which case the user may be required to take adequate measures.

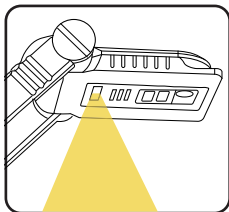


The symbol of the crossed out wheeled bin indicates this product should not be placed in municipal waste. Instead, you need to dispose of the waste equipment by handing it over to a designated collection point for the recycling of waste electrical and electronic equipment.

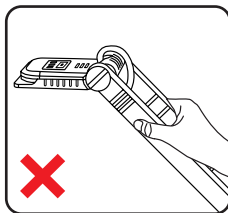
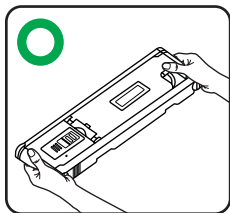


Warning

1. Do not look directly at the LED light source, which may cause retinal damage.

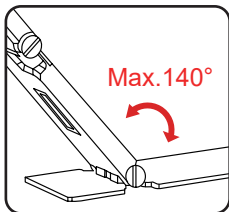


2. Carry the product by holding the base of the main unit in both hands. Never hold the product by the arm or the camera head only.

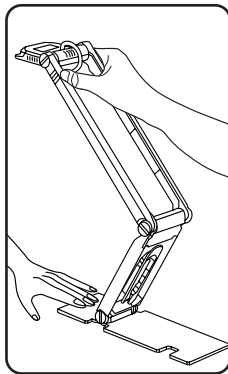


3. The camera can be damaged if it hits a desk surface or any hard object.

4. Never turn the arm in the opposite direction.

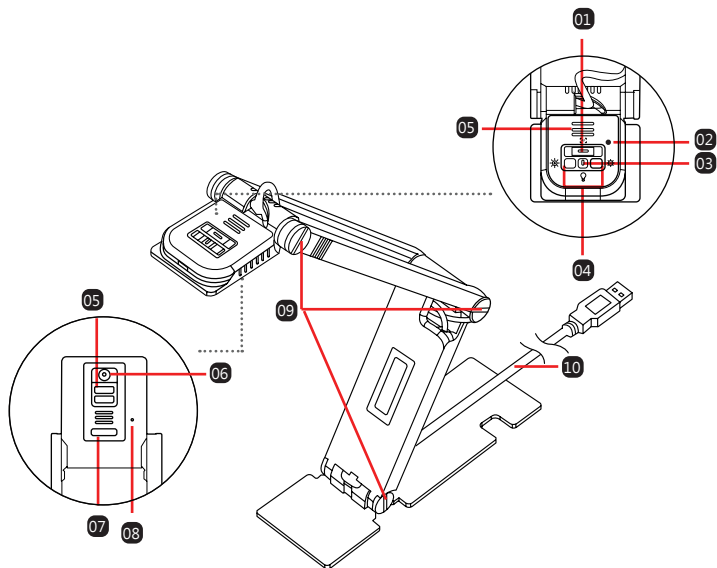


5. Be sure to keep one hand on the device base when adjusting the arm and camera head.



Preparing the Document Camera

● Knowing the Document Camera Parts



01 Auto Focus (on/off)

02 Power Indicator

03 Lamp (on/off)

04 Adjust Brightness

05 Lens Cover

06 Camera

07 LED Lamp

08 Microphone

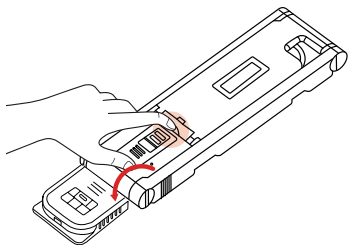
09 Arm Screw

10 USB Cable

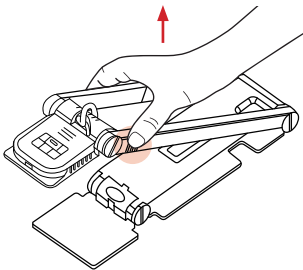
Setting Up

● Using the Camera Holder Bracket

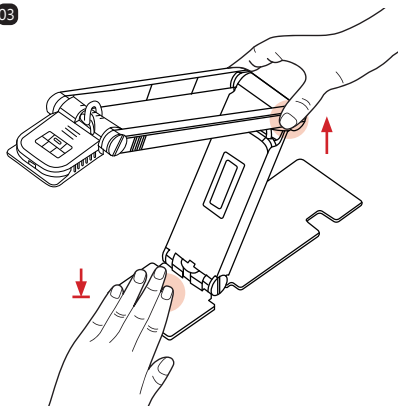
01



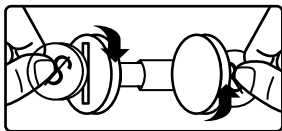
02



03



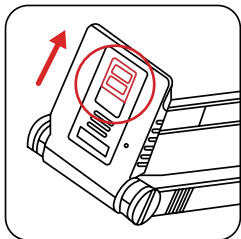
Note : Use two coins to tighten the screws if the arm is loose.



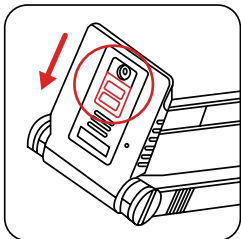
Setting Up

● Attaching / Removing the Lens Cap

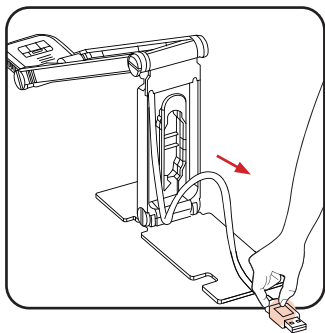
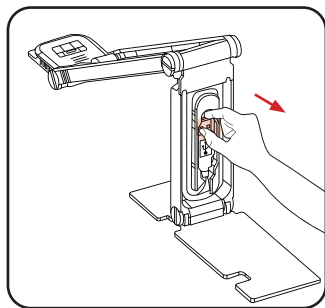
01 Attach



02 Remove



● Taking Out the USB Cable

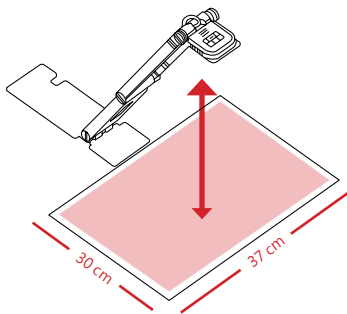


Shooting area and minimum shooting distance

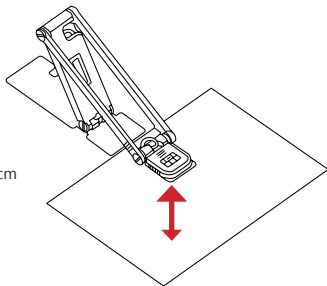
This section provides useful tips on how to adjust the document camera smoothly for your needs.

● Working Area

Height 30 cm
for Max. working
(37 cm x 30 cm)



Minimum height 10 cm



Basic Operation

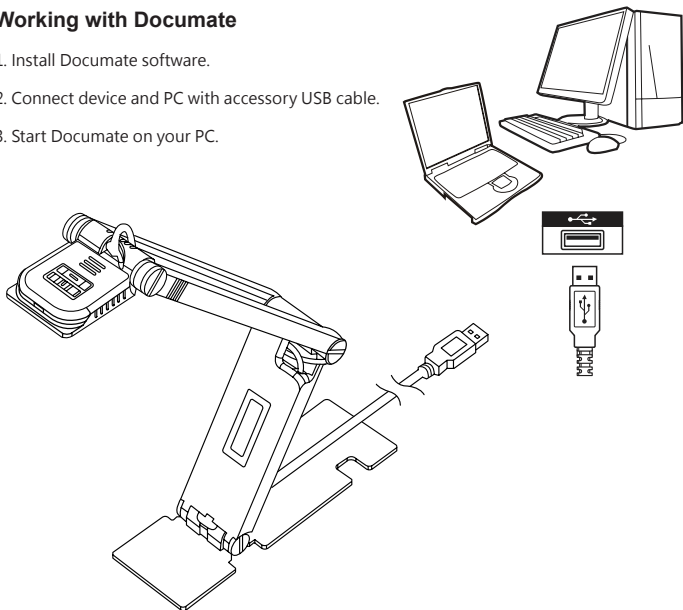
● Using Document Camera as a PC cam

Starting the application

1. Connect the document camera to your computer
Turn on your computer then connect the accessory USB cable to the USB port of your computer.
Make sure the connector and the port are aligned correctly.
2. Launch PC Camera
After the document camera is correctly connected to and detected by your PC, you are ready to use PC Camera function

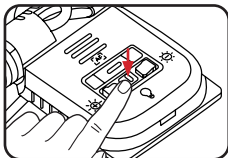
Working with Documate

1. Install Documate software.
2. Connect device and PC with accessory USB cable.
3. Start Documate on your PC.



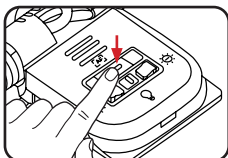
● Supplemental illumination

Turn on the LED lamp to improve image quality in dark conditions.



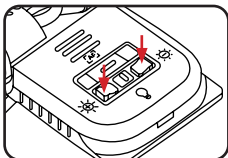
● Adjust focus

Press for one-time autofocus adjustment.



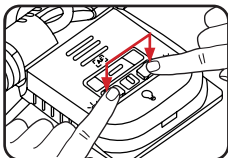
● Adjust brightness

Press to adjust desired brightness level.



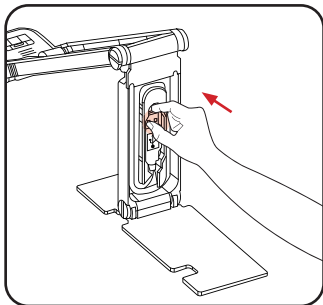
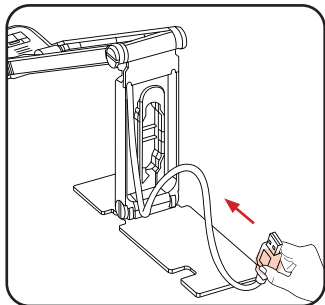
● Change the image orientation

Flip image orientation by simultaneously holding both brightness buttons (+) (-).



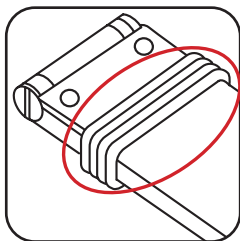
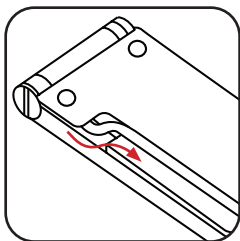
Storing

● Wrapping the USB Cable



● Additional Wrapping Method

To offer an alternative and convenient storage method, we have designed a groove at the base of the unit, allowing you to neatly wrap the USB cable around the document camera for storage.



Troubleshooting

When using the document camera :		
Problem	Cause	Solution
Cannot be powered on normally.	The USB cable is not correctly connected to the computer or computer may have crashed.	Re-connect the USB cable with the document camera.
		Restart the computer.
No image output after connecting.	The document camera is not correctly connected to the computer.	Re-connect the USB cable with the document camera.
	The lens cap is not removed.	Completely removing the lens cap.
	Software is not installed on the computer.	Install the bundled software on the computer.
	Application software is incompatible with the document camera.	Use the bundled software to operate the document camera.
The image is fuzzy.	Probably the distance of object is too close to the lens.	Press AF button to auto focus.
		Make sure the distance from the lens to the subject is greater than 10 cm.
The image dose not move.	The computer or application software may have crashed.	Restart the computer or application software.
Noises occur when viewing images on the computer	The flicker setting does not match the standard of the country you are staying.	Adjust the flicker setting in software.
Freeze image or no image showing in Windows 7	The built-in decoder of Windows 7 operating system does not support the image streaming higher than 2592x1944 resolutions.	Download free Codec Pack from internet. Such as K-lite Codec Pack. This Codec Pack will install the necessary decoder for Windows 7 to work on high resolution image streaming. http://www.codecguide.com/download_kl.htm