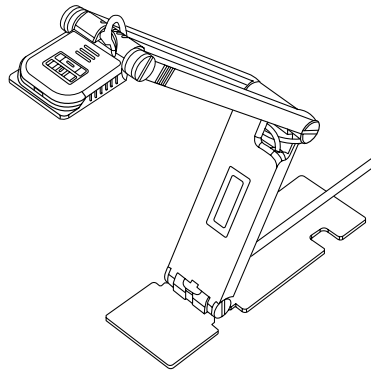


QUICK GUIDE



TS-82-943-01030-005

Package Content:

- INS-Flip 4 USB Document Camera
- Camera Carry Bag
- Quick Guide

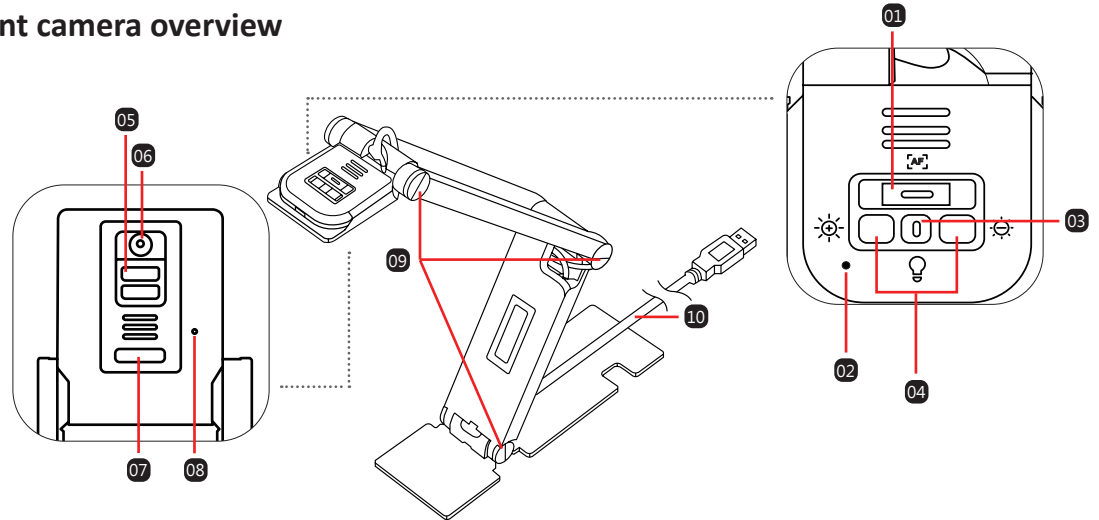
Customer Service

Email : service@inswan.com
 Website : <http://www.inswan.com>



A | INS-Flip 4 USB document camera overview

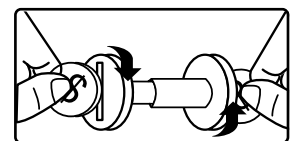
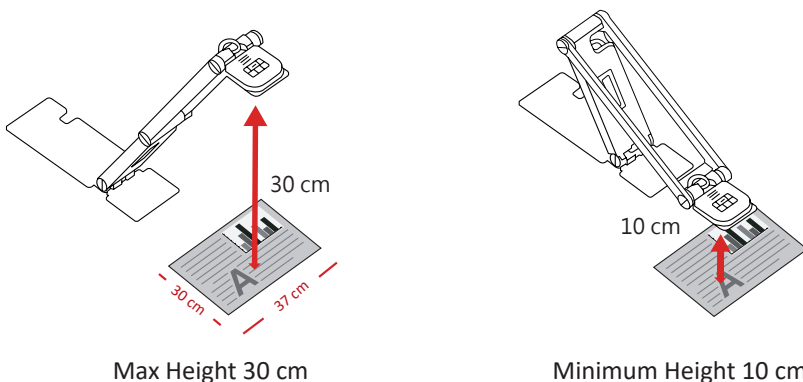
- 01 Auto Focus (on/off)
- 02 Power Indicator
- 03 Lamp (on/off)
- 04 Adjust Brightness
- 05 Lens Cover
- 06 Camera
- 07 LED Lamp
- 08 Microphone
- 09 Arm Screw
- 10 USB Cable



B | Setup and connect to PC

- Flip out the camera head
- Lift the upper arm
- Hold the base plate and pull up from the middle hinge
- Unwind the USB cable and plug it into the USB port of your computer
- Remove the lens cover before operation

C | Shooting area and minimum shooting distance



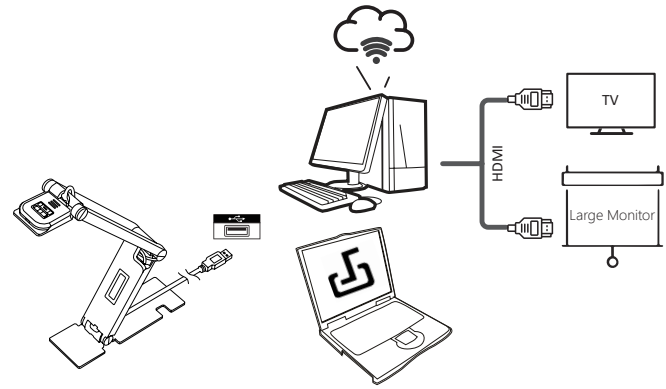
Note :
 Use two coins to tighten the screws if the arm is loose.

D | Installing application software on computer/laptop

INS-Flip 4 requires the Documate application or other webinar software to function.

Please download the latest version of the Documate application for PC, Mac, or Chromebook at www.inswan.com. Use Documate to display the textbook/objects, and then use screen sharing in any webinar application for high-engagement remote teaching/conferencing.

INS-Flip 4 is compatible with most webinar software applications.



E | Using the Documate application software

Start the application on your computer/laptop and choose the desired operation mode.

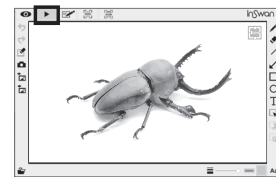


👁 Live mode (default) :

Shows the live image captured by the INS-Flip 4 and provides various functions to enhance your presentation.

📹 Recording video and image capture

Recording video and image capture. Click 📷 to take snapshots or 🎥 to record video clips for future use.



▶ Playback mode :

Review and/or edit snapshots and video clips taken by INS-Flip 4 or other devices.



🖋 Drawing mode :

Use the whiteboard space and markup tools to add text, create drawings or markup existing images.



📄 Scan mode :

Scan documents or images into PDF, PNG, JPG or TIFF file formats. Also, perform OCR (optical character recognition) to extract text for editing.



📄 Batch scan mode :

Scan more than one document at a time. You can read multiple pages of text in one sitting by scanning multiple images.

F | Adjust focus

Press for one-time autofocus adjustment.



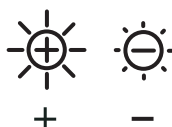
G | Supplemental illumination

Turn on the LED lamp to improve image quality in dark conditions.



H | Adjust brightness

Press to adjust desired brightness level.



I | Change image orientation

Flip image orientation by simultaneously holding both brightness buttons (+) (-).

